

# AEROCOMPACT®

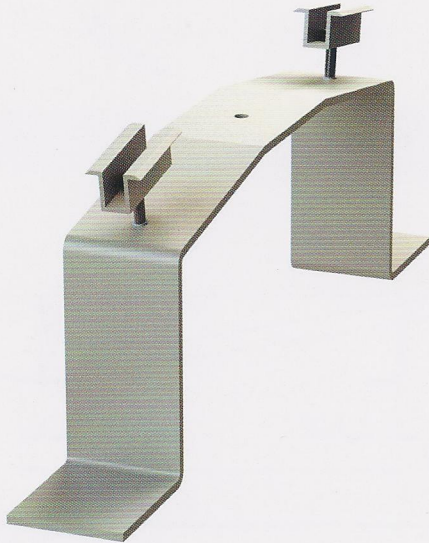
a product of SST Solar USA

... the unbeatable flat-roof solution



# Kinetic

SOLAR RACKING AND MOUNTING



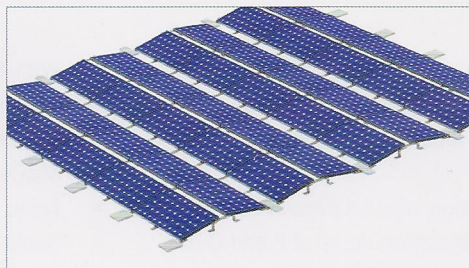
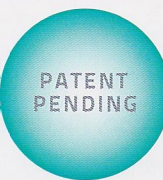
## AEROCOMPACT +

Our **AEROCOMPACT +** (east-west oriented), is the aerodynamic solution for mounting framed modules on flat roofs. This system offers best value for your money and has excellent installation features.

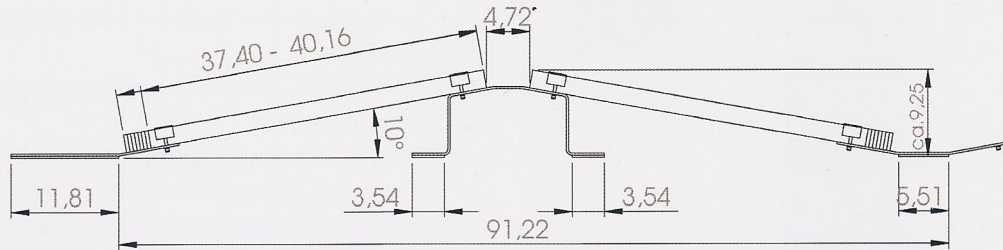
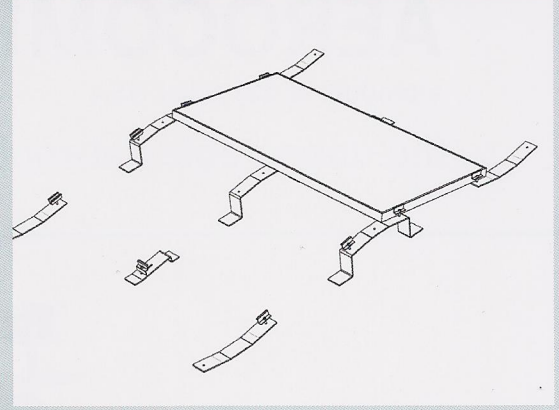
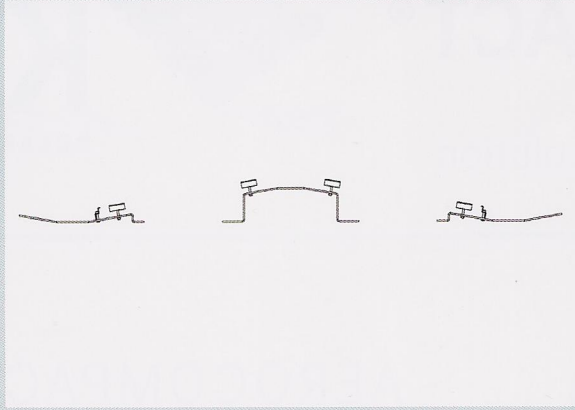
With **AEROCOMPACT +** an assembly time of 5 minutes per kWp can be reached.

The system is wind-tunnel tested, conforms to UL 2703 and is delivered fully pre-assembled with protective matting with a barrier to prevent diffusion of the plastic softener. You will also receive a free analysis tool for the design of the flat roof for accurate ballasting.

**AEROCOMPACT** is the fastest and least expensive mounting system that is available on the current market. Designed and assembled by SST Solar USA Inc.



## TECHNICAL DETAILS AEROCOMPACT +



## YOUR BIG ADVANTAGE

- + Best price value available
- + The fastest installation in the industry (1 kWp/5 min., 2 men)
- + Statically optimized system
- + less material = less shipping costs
- + Completely pre-assembled
- + Incl. protection pads with aluminum sheet
- + Optimized wind suction, therefore less ballasting than other systems
- + Optimum water drainage
- + Suitable for roof edge zones
- + Complimentary software for module layouts
- + ETL certified, conforms to UL 2703
- + Wind tunnel tested for up to 150 mph
- + Patent pending
- + Without roof penetration
- + Optimum module ventilation

## TECHNICAL DETAILS

- > Elevation angle: 10°
- > Orientation: east-west
- > Average additional load of 3,1 lbs per sqf incl. module
- > Minimum construction size: four modules
- > Edge distances: installation areas of F and G can be used (please use software tool)
- > Dimensions for framed modules are (37.4 - 40.1) inch x (64.1 - 66) inch
- > With 44 lbs per sqf, snowload downforce on roof equals 0,12N/mm<sup>2</sup>
- > Maximum permitted roof slope 4°
- > Maximum roof height 60 ft
- > Up to wind load zone 4
- > Snowload for Aerocompact+ Alpine is 5,4 KN/m<sup>2</sup>, for Aerocompact+ Standard 2,4 KN/m<sup>2</sup>
- > Proof of static load capacity of the roof is to be provided by customer

